

IDSCR35 Hybrid Manual Insertion Card Reader

Feature

- 3-in-1 Hybrid smart/memory/magnetic card reader
- 32-bit processor with high performance
- Compliant with ISO7811, ISO7816, EMV 2000 Level 1
- Manual Removal to read the magnetic card
- IC card landing contact
- On-board flash to upgrade firmware easily
- Card insertion responded by LED
- USB & RS232 interface
- CCID standard compliant
- Plug & play installation for Microsoft Windows
- Drivers, demo programs and libraries for Microsoft Windows.
- CE & FCC certificated

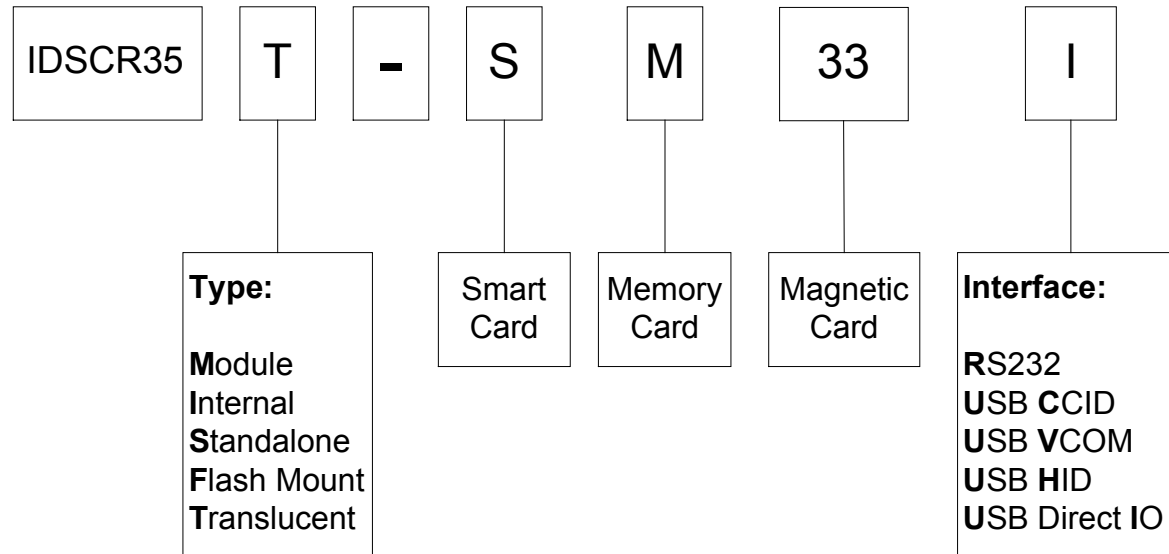
Specification

Item	Content			
Magnetic Card	ISO 7810, ISO 7811, JIS X 6301, JIS X 6302 (Read only)			
ISO 7811	Track	Track 1	Track 2	Track 3
	Recording density	210 BPI	75/210 BPI	210 BPI
	Capacity	79 characters (7 bit code)	40/107 characters (5 bit code)	107 characters (5 bit code)
	Start / End Code	% / ?	; / ?	; / ?
JISX6302 Type 1	Track	Track 1	Track 2	Track 3
	Recording density	210 BPI	75 BPI	210 BPI
	Capacity	79 characters (7 bit code)	40 characters (5 bit code)	107 characters (5 bit code)
	Start / End Code	% / ?	; / ?	; / ?
JISX6302 Type 2	Recording density	210 BPI		
	Capacity	72 characters (8 bit code)		
	Start / End Code	DEL / DEL		
Smart Card	ISO 7816 T=0,T=1, EMV 2000 Level 1 compliant (R/W)			
Memory Card	SLE 4442/4432, SLE4428/4418, AT24CXX(R/W)			
Interface	RS232 (9600 n 8 1) USB1.1 & 2.0 (CCID, HID, VCOM, Direct IO)			
Life time of Mag. head, IC card contact and mechanism	Min. 300,000 times of Contacts & Insertion			
Operation temperature	-10 ~ 50°C			
Driver and demo program	Microsoft XP, VISTA & 7, Server 2003 & 2008, 32 & 64 bits			

IDSCR35 Series

Hybrid Manual Insertion Card Reader

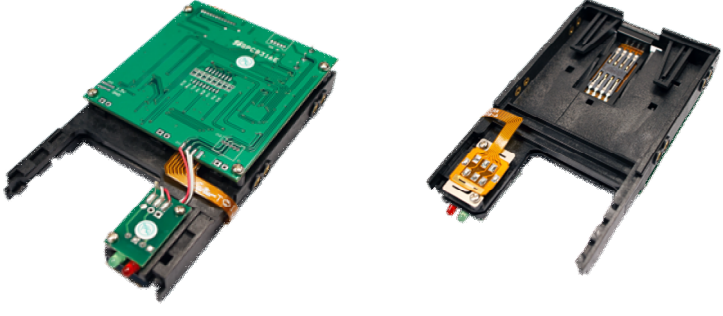


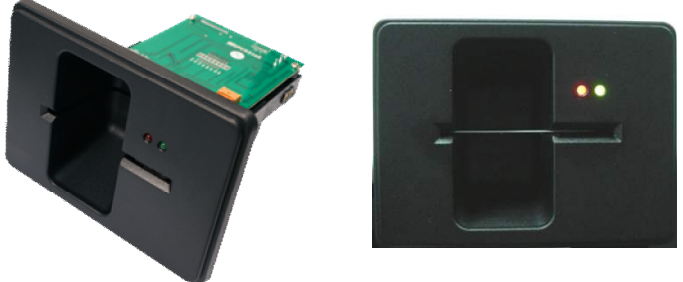
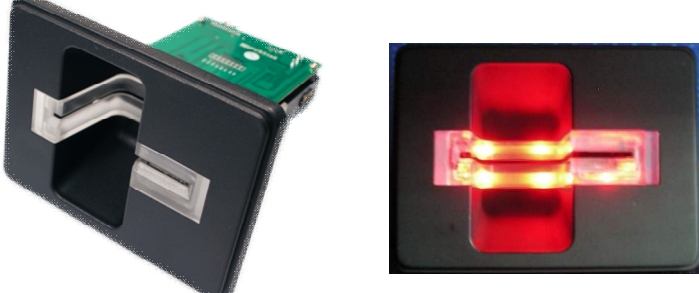
Model description



Mode No.	IC Card		Magnetic Card	RS232	USB			
	Smart Card	Memory Card	3 Tracks		CCID	VCOM	HID	Direct IO
IDSCR35X (R)	•	•	•	•				
IDSCR35X (UC)	•		•		•			
IDSCR35X (UV)	•	•	•			•		
IDSCR35X (UH)	•	•	•				•	
IDSCR35X (UI)			•					•

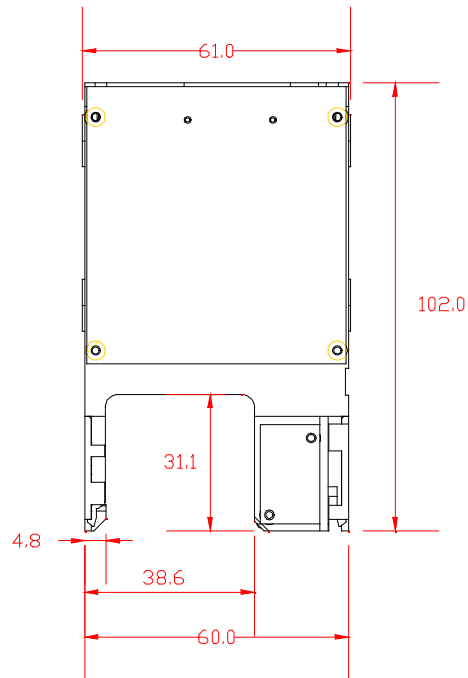
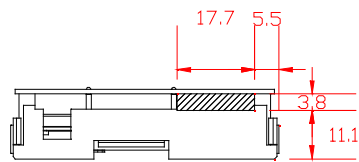
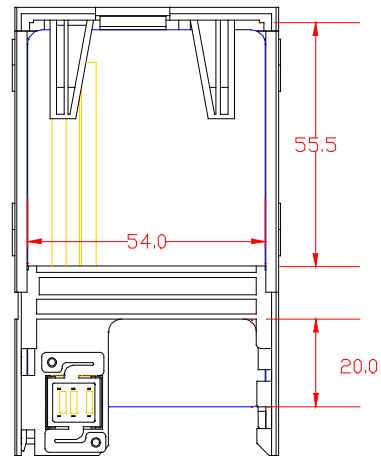
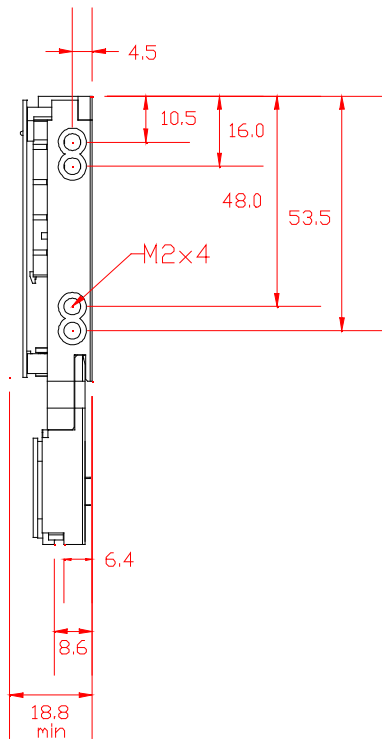
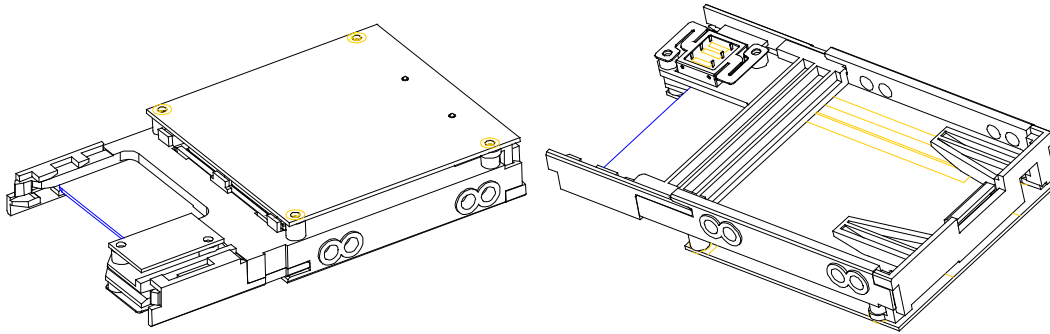
IDSCR35 Hybrid Manual Insertion Card Reader

Model picture

Types	Pictures
Module	
Internal	
Standalone	
Flush Mount Bracket	
Translucent Bracket	

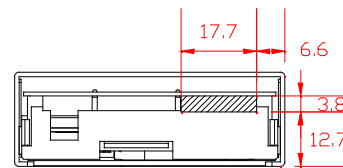
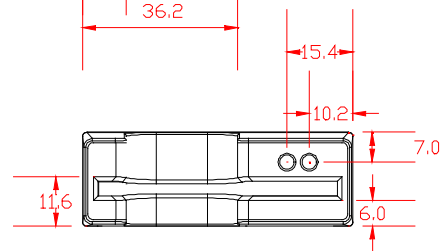
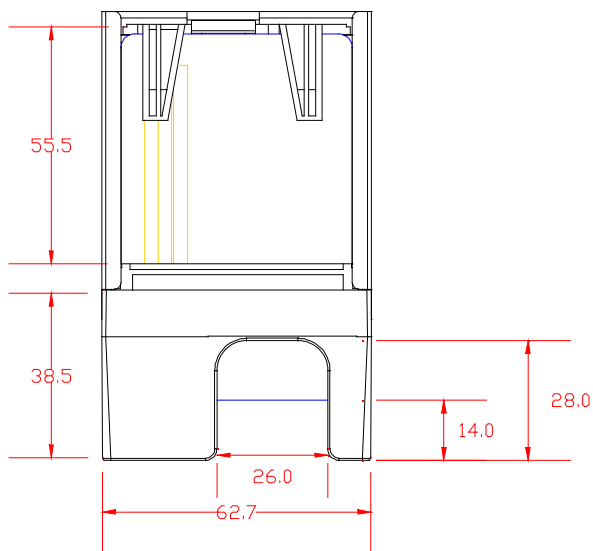
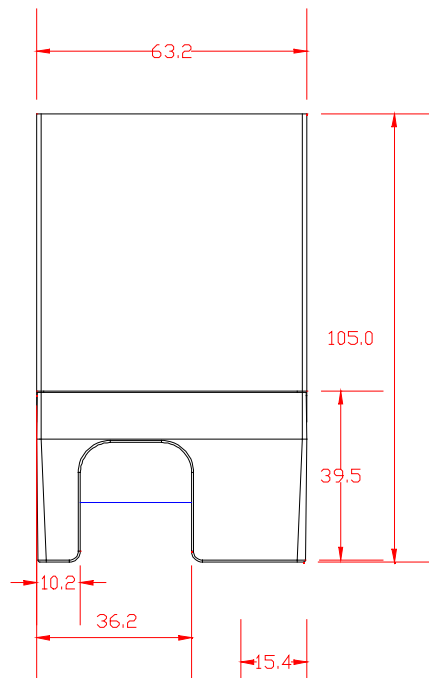
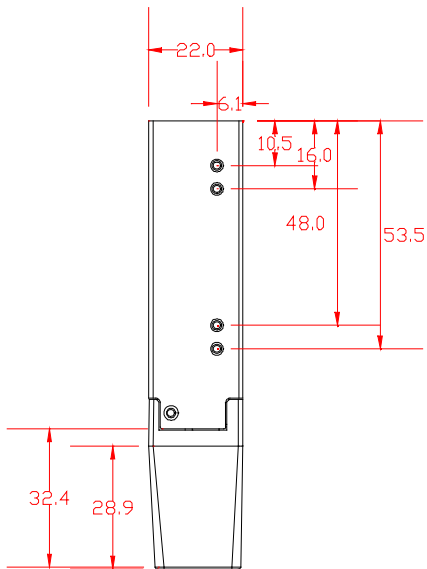
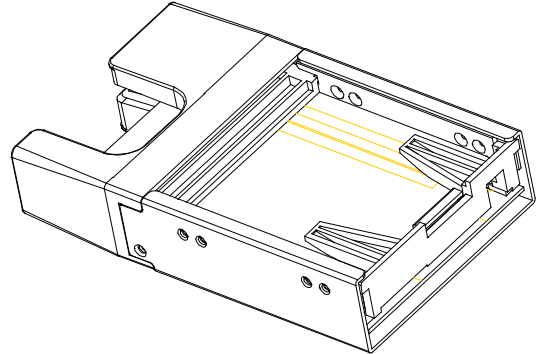
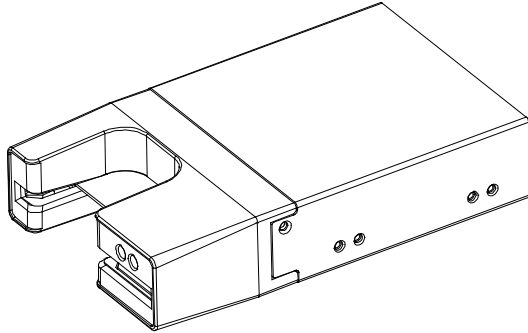
IDSCR35 Hybrid Manual Insertion Card Reader

Mechanical Layout 1 (Module type)



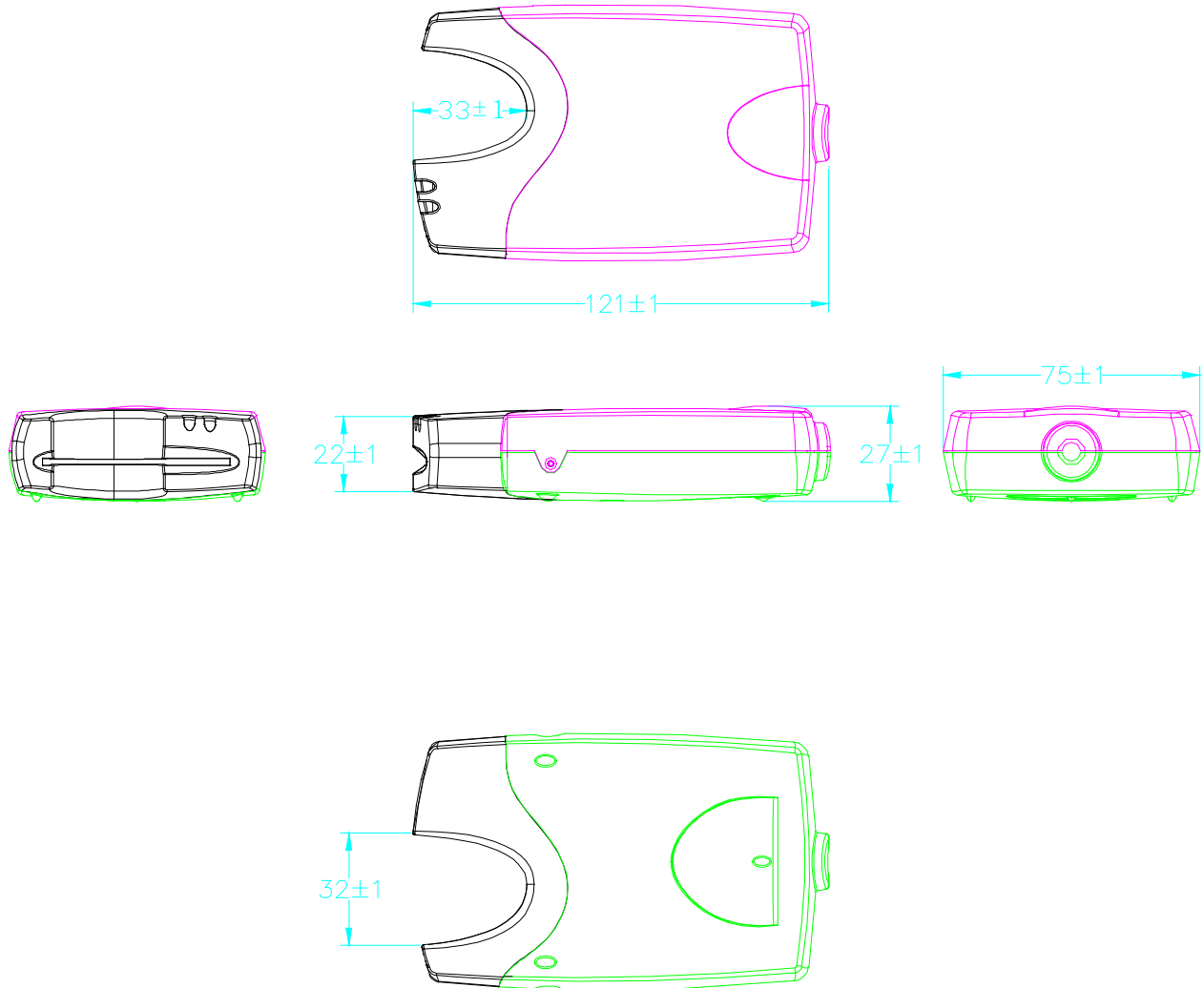
IDSCR35 Hybrid Manual Insertion Card Reader

Mechanical Layout 2 (Internal type)

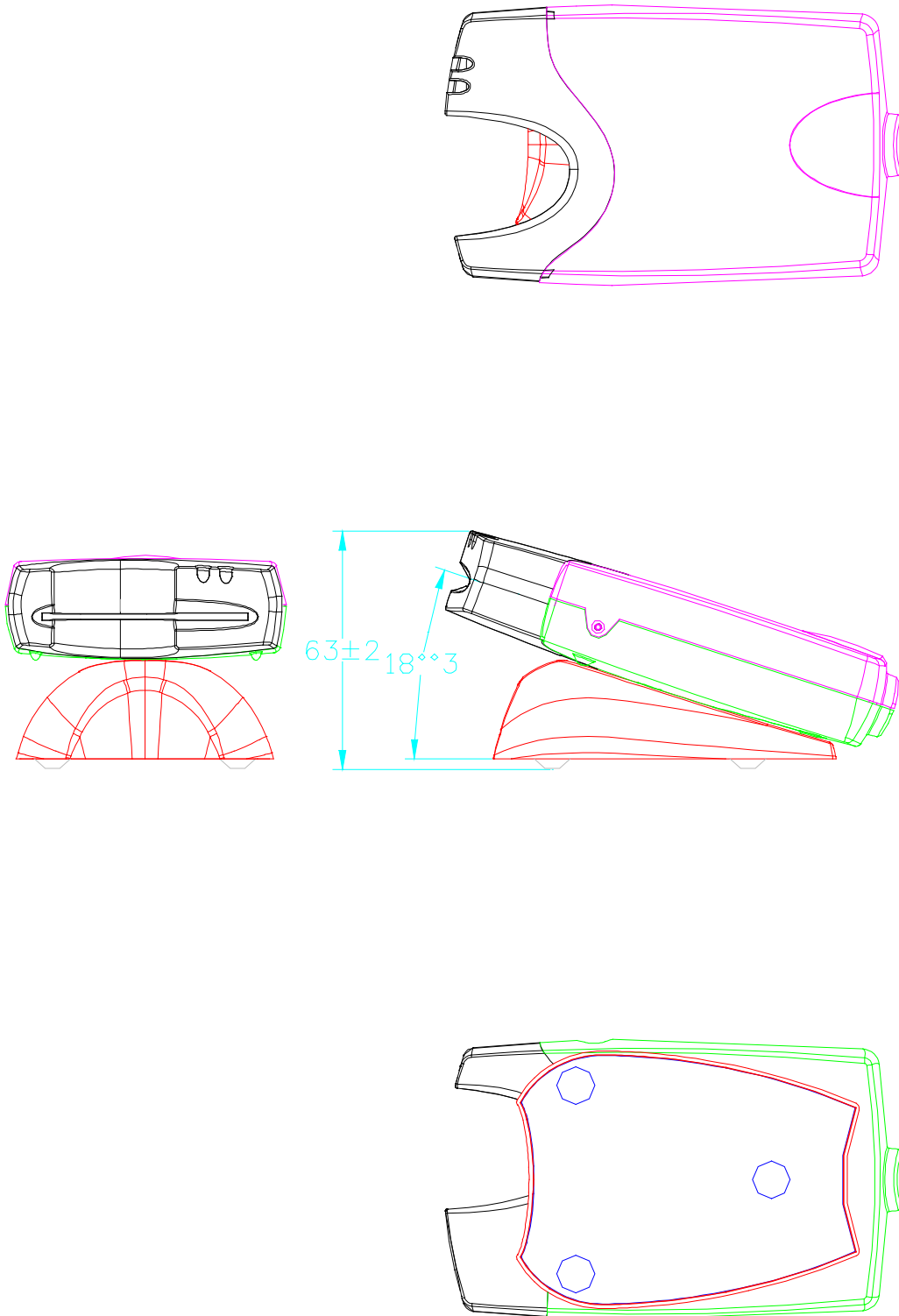


IDSCR35 Hybrid Manual Insertion Card Reader

Mechanical Layout 3 (Standalone type)

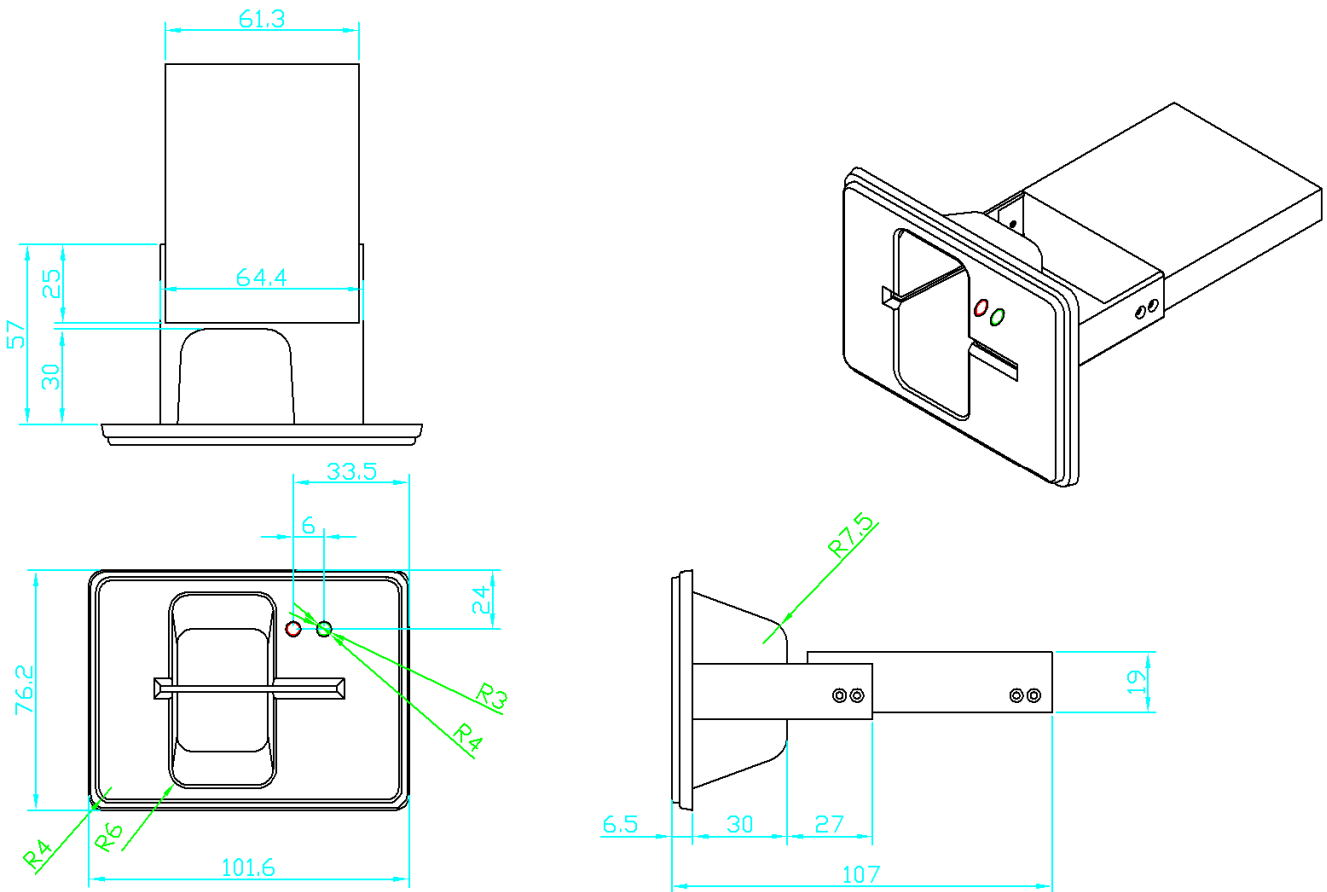


IDSCR35 Hybrid Manual Insertion Card Reader



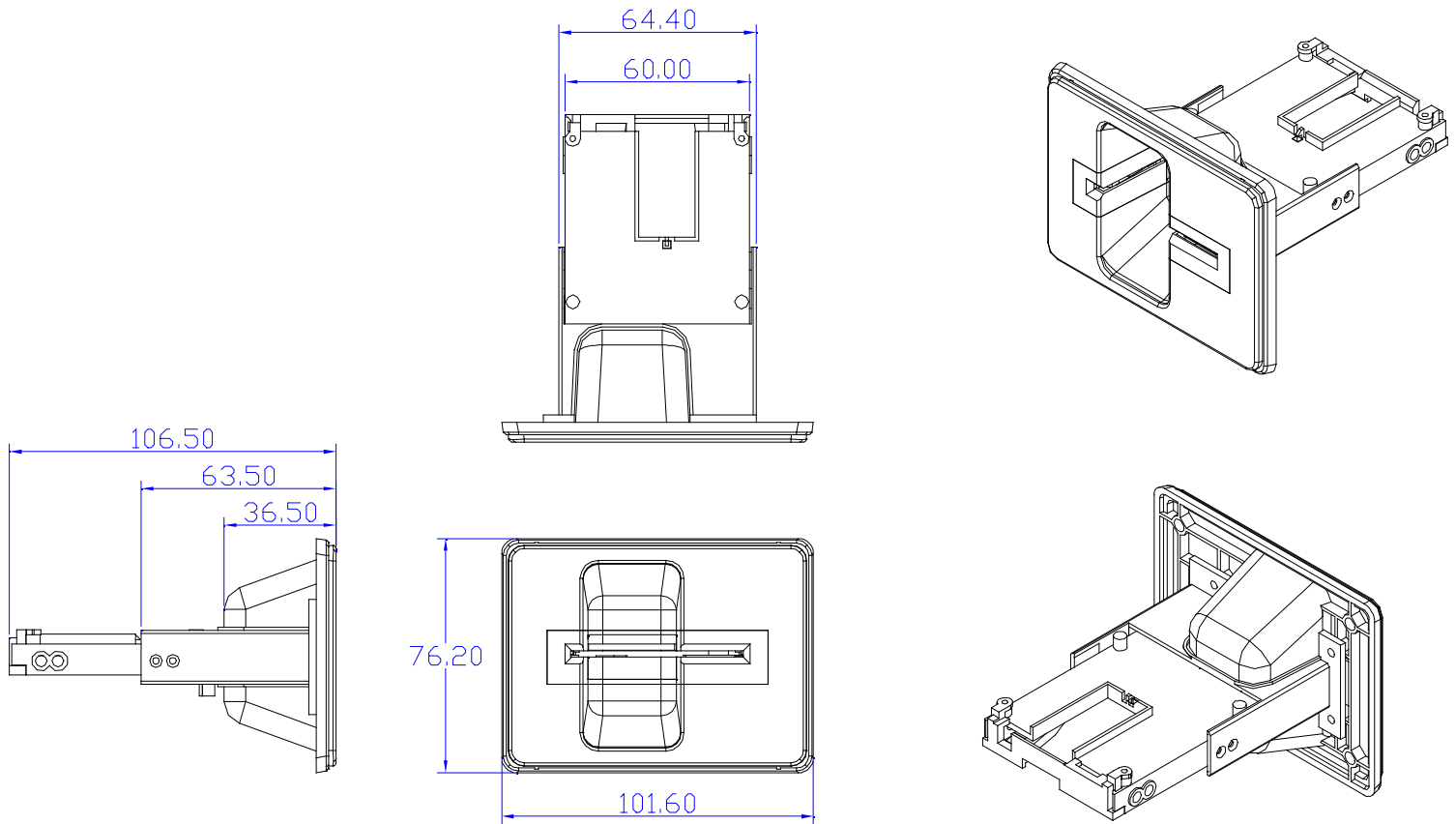
IDSCR35 Hybrid Manual Insertion Card Reader

Mechanical Layout 4 (Flush Mount Bracket type)



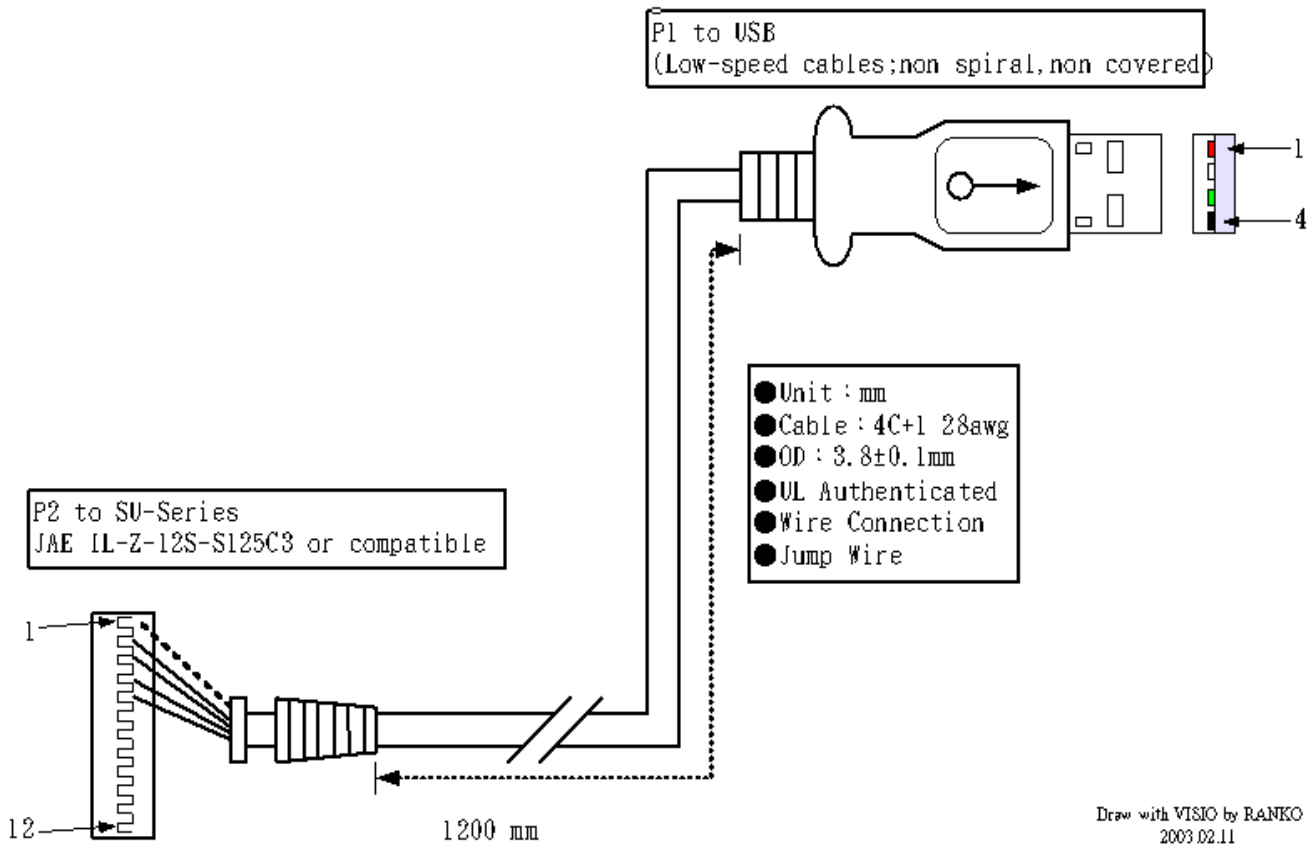
IDSCR35 Hybrid Manual Insertion Card Reader

Mechanical Layout 5 (Translucent Bracket type)



IDSCR35 Hybrid Manual Insertion Card Reader

IDSCR35 USB Cable Specification



Pin assignment

Color	P1	P2	Function
Red	1	2	Vcc
White	2	3	Data -
Green	3	4	Data +
Black	4	5	GND
		1	Case GND

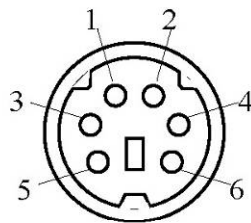
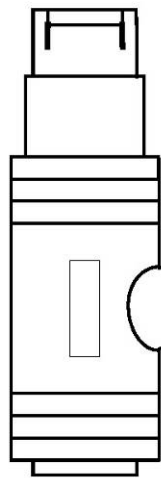
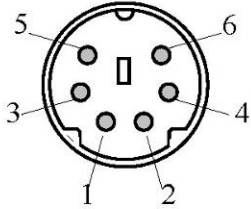
IDSCR35 Hybrid Manual Insertion Card Reader

IDSCR35 RS232 Cable Specification

IDSCR28 PS/2 Connector SCAB015-A

P3 to PC

6P Mini Din Plug(Male)

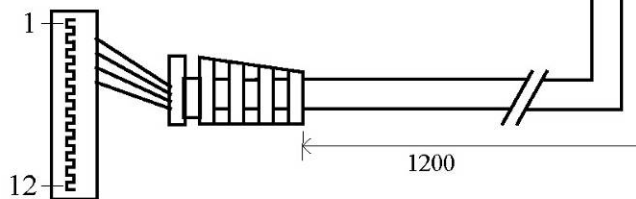


P2 to Keyboard

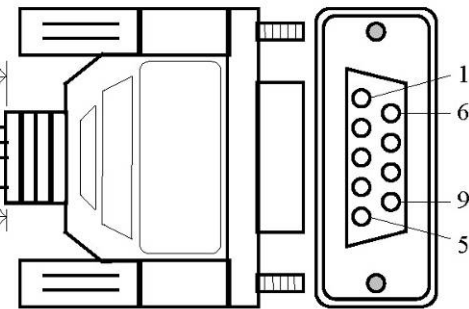
6P Mini Din Jack(Female)

P4 to SCR28

JAE IL-Z-12S-S125C3 or compatible



P1 to RS-232



- Unit : mm
- Cable : 6C 28awg
- OD : 3.8 ± 0.1mm
- UL Authenticated
- Wire Connection
- Jump Wire

Color	P1	P2	P3	P4	Function
Blue	7,8			3	PCRTS
Brown	6			2	PCDSR
Black	5	3	3	5	GND
Red	/	4	4	1	Vcc
White	4	/	/	4	PCDTR
Yellow	3	/	/	8	PCTXD
Green	2	/	/	7	PCRXD
		1	1		Jump
		2	2		Jump
		5	5		Jump
		6	6		Jump

IDSCR35 Hybrid Manual Insertion Card Reader

