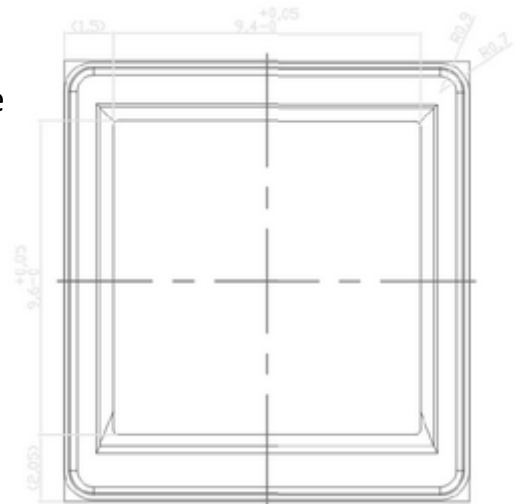


## IDA172-MR *Fingerprint Module*

### IDA172-MR FINGERPRINT MODULE

The IDA172-MR fingerprint module is a SMT, low profile fingerprint reading module. The sensor is based on capacitive-contact technology with hardened surface and enhanced ESD resistivity.



### FEATURES

- 2D capacitive fingerprint area sensor
- Sensor array of 176x176 pixels
- 508 DPI spatial resolution
- 8-bit gray levels
- 8.8mm x 8.8mm active sensing area
- High speed SPI interface
- Image capture speed up to 2Mpixel/sec
- Surface scratch hardness: 8H
- ESD protection:  $\pm 15$ KV (Air mode)
- Low power: Normal and Standby modes
- FPC/FFC connection interface
- SMD(SMT device) design
- Low profile (0.95mm including metal ring)

### SPECIFICATION

Parameter		Value
Dimensions		13.45mm x 12.45mm x 0.95mm
Sensor Dimensions		10.20mm x 9.40mm x 0.25mm
RCA (sensor)		>350 cycles
ESD		$\pm 15$ KV
Operating temperature		-20°C ~ 80°C
Extended humidity range		<90%
Operating voltage range		2.7V ~3.3V
Scratch hardness(sensor)		8H
Supply current	Normal mode	2 mA
	Standby mode	20 uA
Interface		SPI

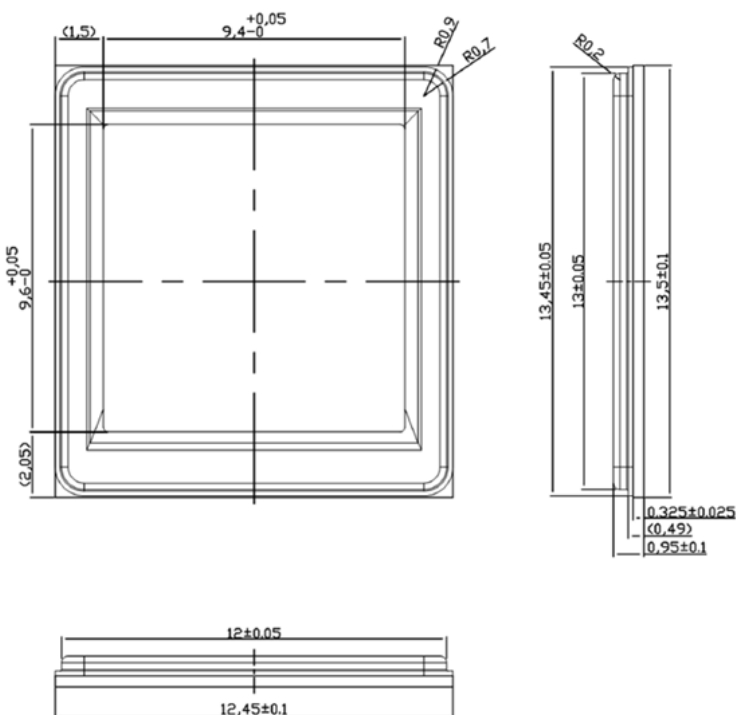
# IDA172-MR *Fingerprint Module*

## INTERFACE: SMT contexts(Optional)

PIN NO.	PIN Name	Description
1	VDD	3.3V power input
2	SELN	Active low enable for SPI data exchange
3	SCK	SPI CLOCK
4	MISO	SPI MISO
5	IOVDD	3.3V power input for I/O
6	MOSI	SPI MOSI
7	TEST	Enhance signal output
8	RESET	Module reset
9	VSS	Power Ground
10	VPP	OTP data writing control
11	RING	Metal ring
12~16	VSS	Power Ground
ESD1~4	ESD	ESD Pads

## DIMENSIONS

Top Side View



Top Side View(See Through)

