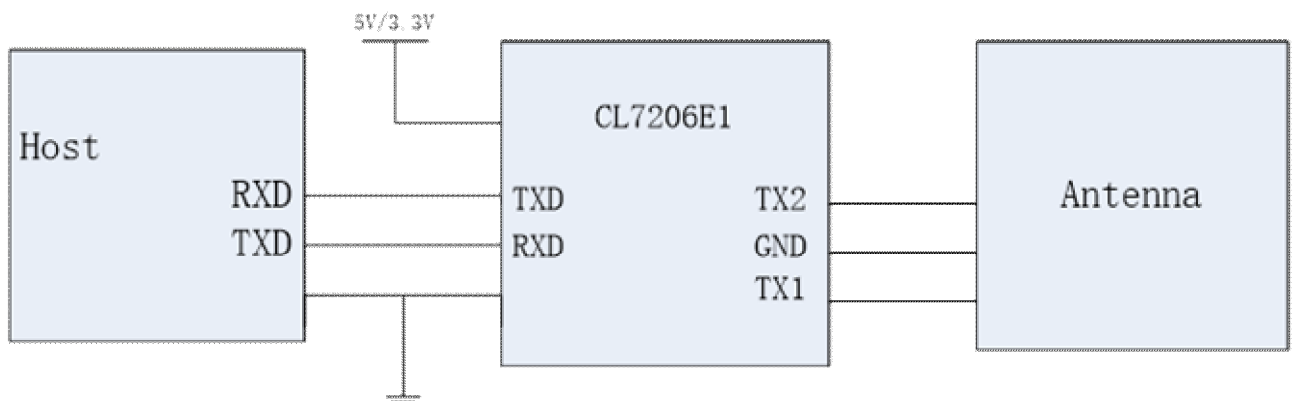
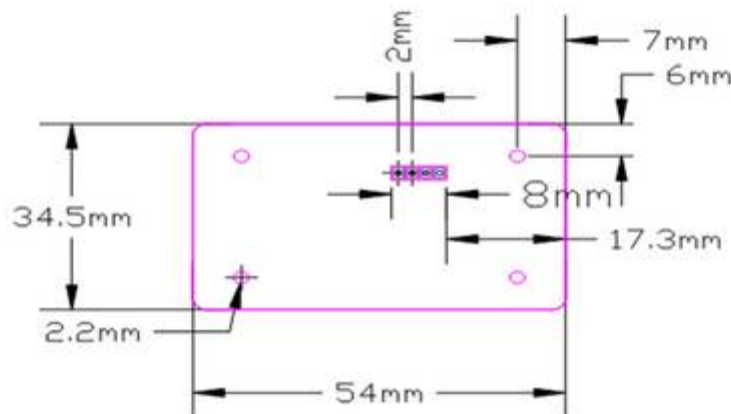
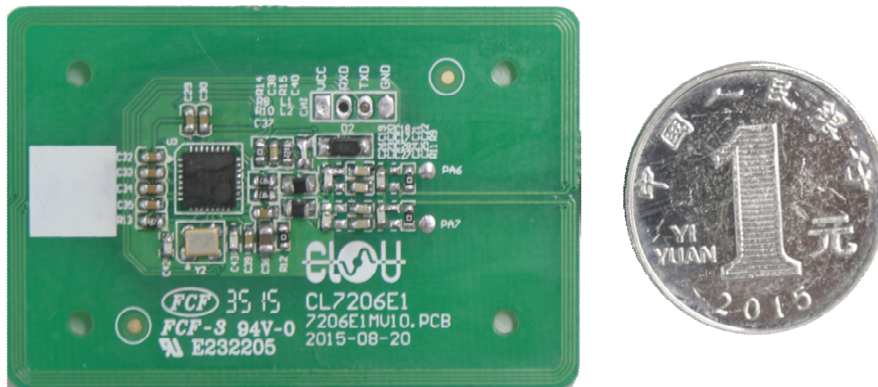


# ID7206E1

## HF RFID Module

For RFID Writer / handheld reader integration



**FEATURES:**

- ✓ **Powerful:** Developed based on ISO14443A/ISO15693 protocol
- ✓ **Cost effective:** Low power dissipation, small size, a single SOC solution
- ✓ **Advanced:** Digital signal processing highly integrated structure
- ✓ **Humanist:** miniaturization design for easier integration application
- ✓ **Omnipotent:** API simplification packed for kinds of device development

**TYPICAL APPLICATIONS:**

- ✓ RFID embedded equipment such as ATM, anti-counterfeiting equipment, identification system equipment , intelligent mobile phone, handheld terminal, industrial control device and so on

Physical	
Size:	54mm x 35.4mm x 3.15mm
Weight:	10g
Housing Material:	PCB
Power supply:	DC +3.3V/5V
HF RFID	
Protocol:	ISO14443A/ISO15693
Frequency:	13.56MHz
Reading distance	0-5cm
Card type:	Mifare UltraLight, Mifare 1 S50, Mifare 1 S70, Mifare PLUS, Mifare Desfire card; ISO15693 card
Interface:	UART(TTL)
Communication Speed	9600~230400bit/s
Output Power:	Standby: 2m A/DC 3.3V, 2 m A /DC5V Reading: 80m A/DC 3.3V, 90 m A /DC5V
Operational Environment	
Working Temperature:	-20 - +70°C
Storage Temperature:	-40 - +85°C
Related humidity:	5%-95%