

IDSCR32 Series

RS232 Hybrid Card Reader

Feature

- 3-in-1 hybrid insertion smart/memory/magnetic card reader
- ISO7811, ISO7816, EMV 4.2 L1 compliance
- MPU with watchdog and ESD protection
- IC card landing contact
- RS232 interface (TTL I/F optional)
- Adjustable baud rate
- Operation responded by LED
- Command list provided

Optional function description

- Slim line bezel & metal frame shielding
- Glue covered on circuit board for anti-salt and water resistance

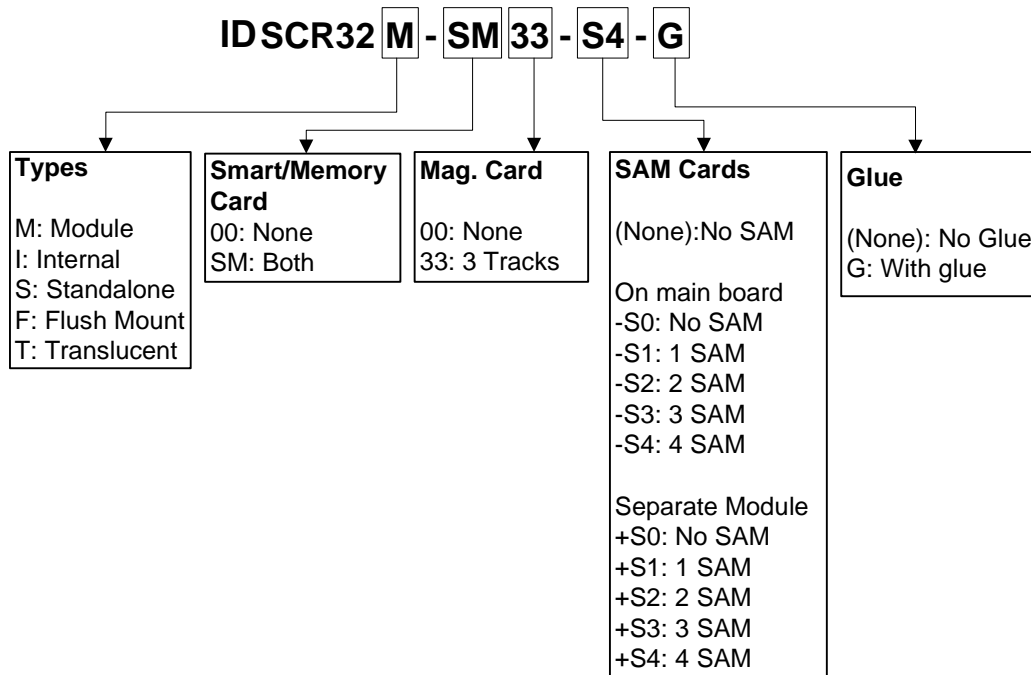
Specification

Item		Description		
ISO 7811	Track	Track 1	Track 2	Track 3
	Recording	210 BPI	75/210 BPI	210 BPI
	Capacity	79 characters (7 bit code)	40/107 characters (5 bit code)	107 characters (5 bit code)
	Start / end code	% / ?	; / ?	; / ?
Smart card standard		ISO 7816 T=0,T=1 (R/W), 3V & 5V IC Cards EMV 4.2 L1 compliance		
Memory card standard		SLE 4442/4432/5542, SLE4428/4418, or customized cards according specifications		
Interface		RS232		
I/O controls		Green LED x1, red LED x1		
Baud rate		9600~115200, n, 8, 1		
Power supply		DC +4.75V~ +5.25V / 300mA		
Operation temperature		-10 ~ 50°C		

IDSCR32 Series

RS232 Hybrid Card Reader

Model description





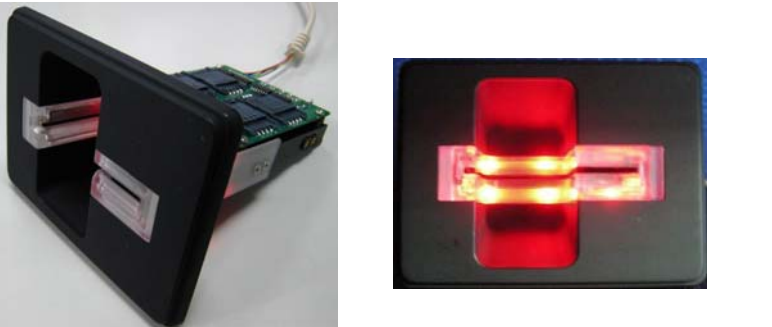


Types	Mode No.	IC Card		Mag. Card Reading	SAM	Glue
		Smart Card	Memory Card			
Module	IDSCR32M-0033			●		
	IDSCR32M-SM00	●	●	●		
	IDSCR32M-SM33					
	IDSCR32M-0033	●	●	●		
	IDSCR32M-SM00	●	●			
	IDSCR32M-SM33	●	●	●		
Internal	IDSCR28I- (the same suffix as Module type)					
Standalone	IDSCR28S- (the same suffix as Module type)					
Flush Mount Bracket	IDSCR28F- (the same suffix as Module type)					
Translucent Bracket	IDSCR28T- (the same suffix as Module type)					

IDSCR32 Series

RS232 Hybrid Card Reader

Model picture

Types	Pictures	
Module		
Internal		
Standalone		
Flush Mount Bracket		
Translucent Bracket		

IDSCR32 Series

RS232 Hybrid Card Reader

Pin assignment

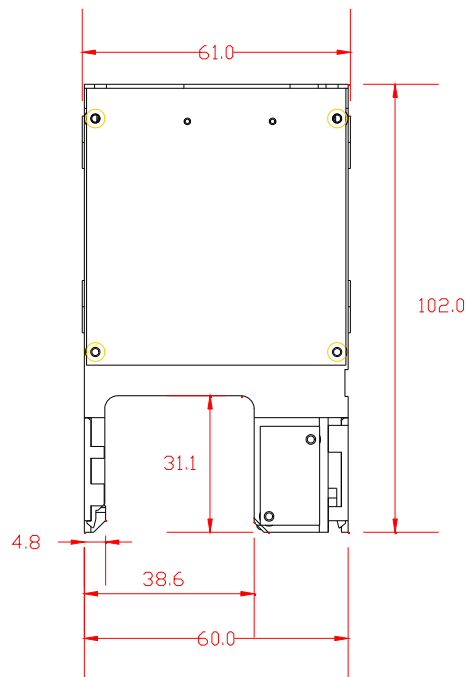
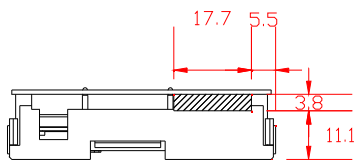
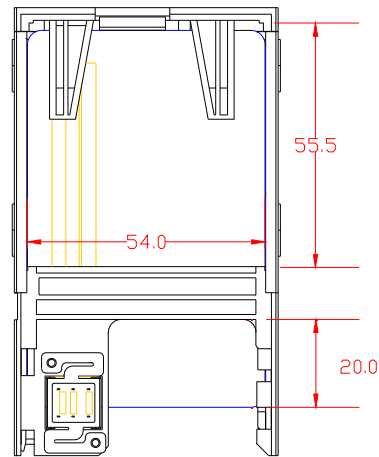
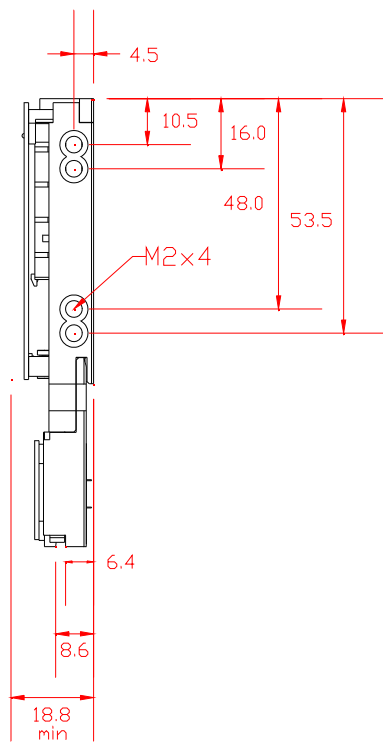
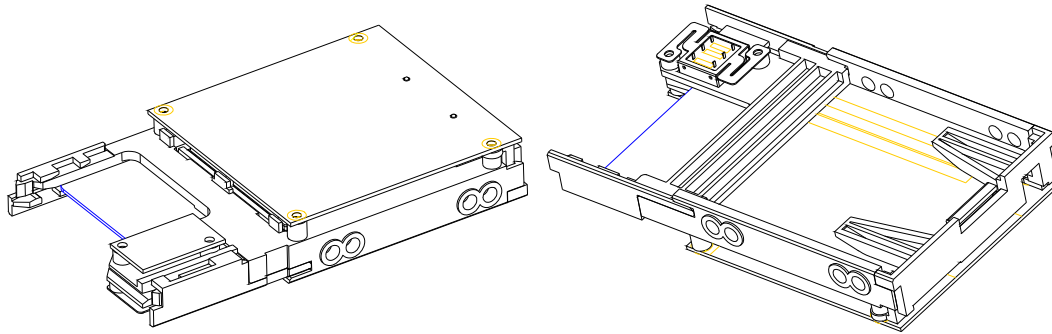
Pin No.	Symbol	Level TTL/RS232	I/O	Description
1	Vcc	5V		5V power supply
2	/DSR	5V/0V(-15V /15V)	O	data set ready output
3	/RTS	5V-0V(-15V /15V)	I	PC request to send input
4	/DTR	5V-0V(-15V /15V)	I	PC data terminal ready
5	GND	0V		Ground
6	Res1	5V-0V	I/O	Reserved for feature
7	RxD	5V-0V(-15V /15V)	O	PC received data input
8	TxD	5V-0V(-15V /15V)	I	PC transmitted data output
9	Res2	5V-0V	I/O	Reserved for feature
10	Res3	5V-0V	I/O	Reserved for feature
11	Res4	5V-0V	I/O	Reserved for feature
12	Res5	5V-0V	I/O	Reserved for feature

Connector type=IL-Z-12P-S125L3-E (JAE) or compatible

IDSCR32 Series

RS232 Hybrid Card Reader

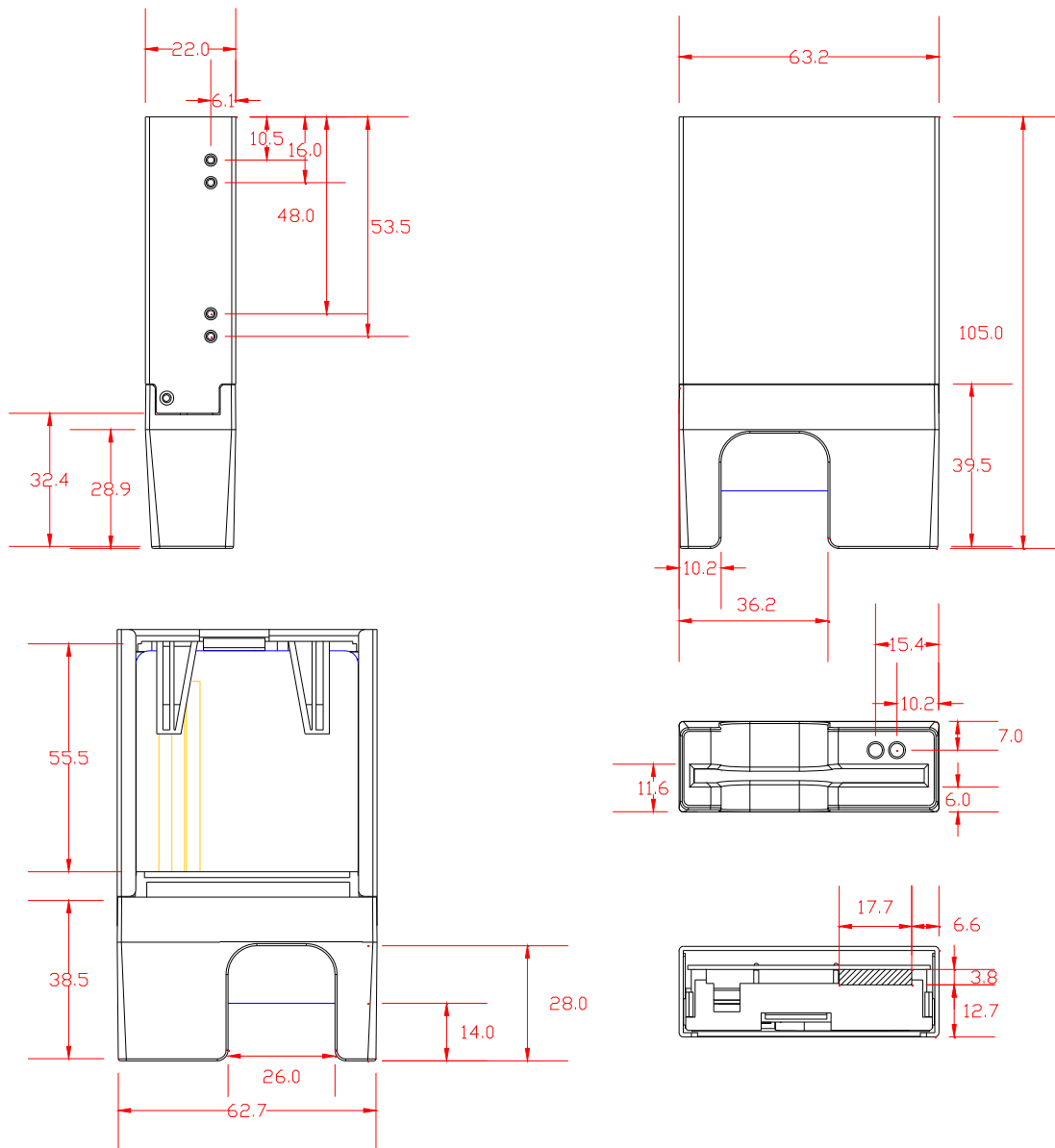
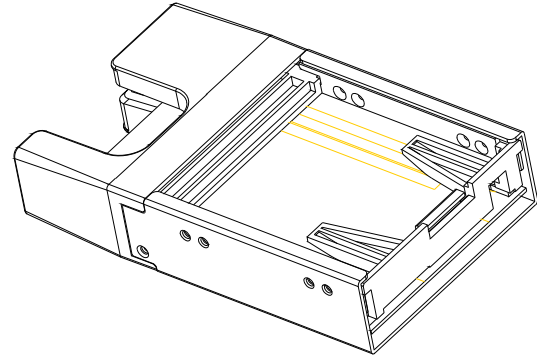
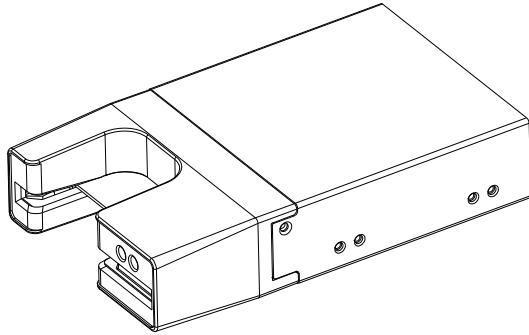
Dimension 1 (Module type)



IDSCR32 Series

RS232 Hybrid Card Reader

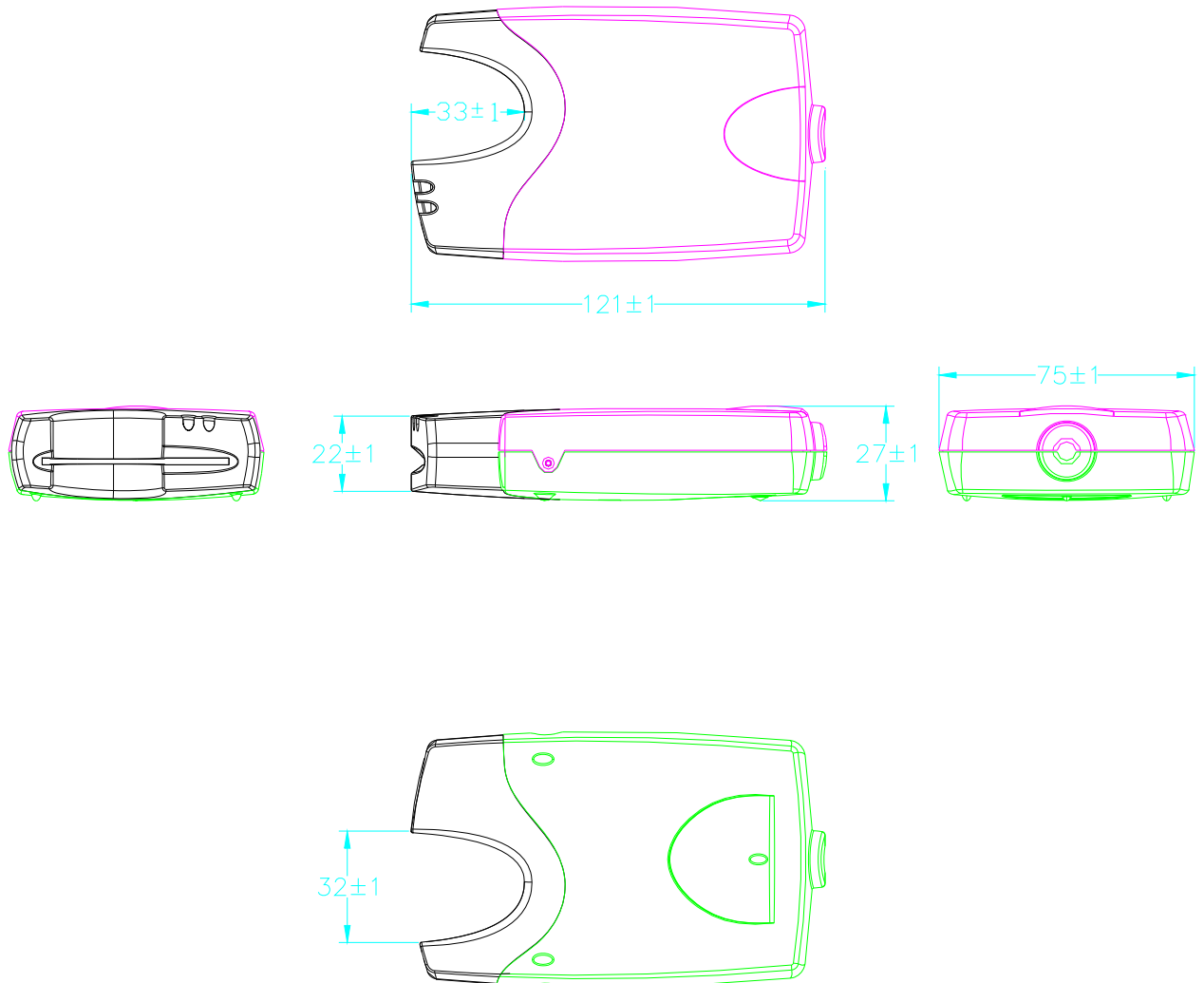
Dimension2 (Internal type)



IDSCR32 Series

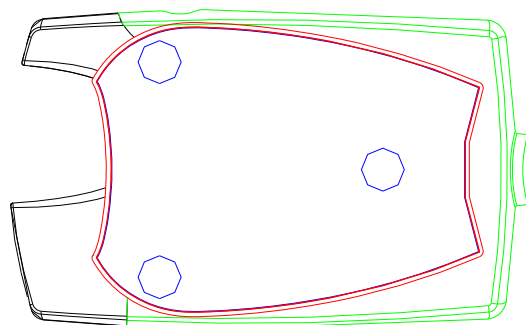
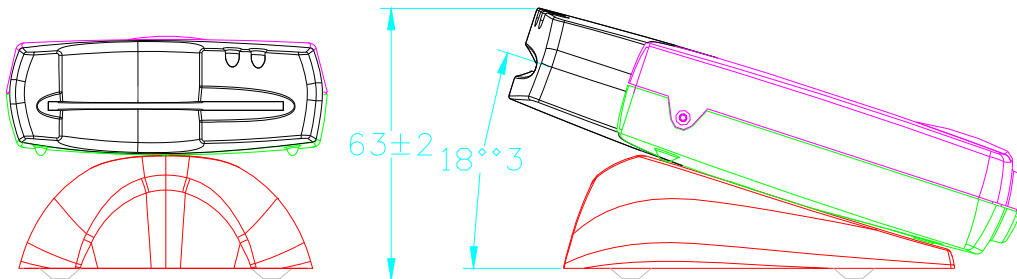
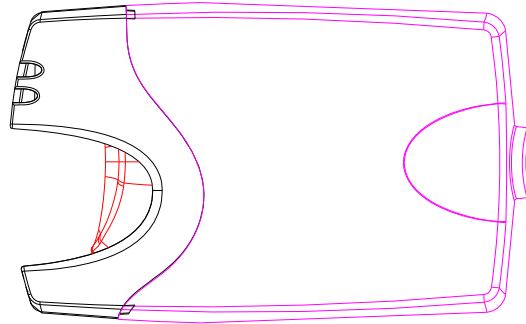
RS232 Hybrid Card Reader

Dimension3 (Standalone type)



IDSCR32 Series

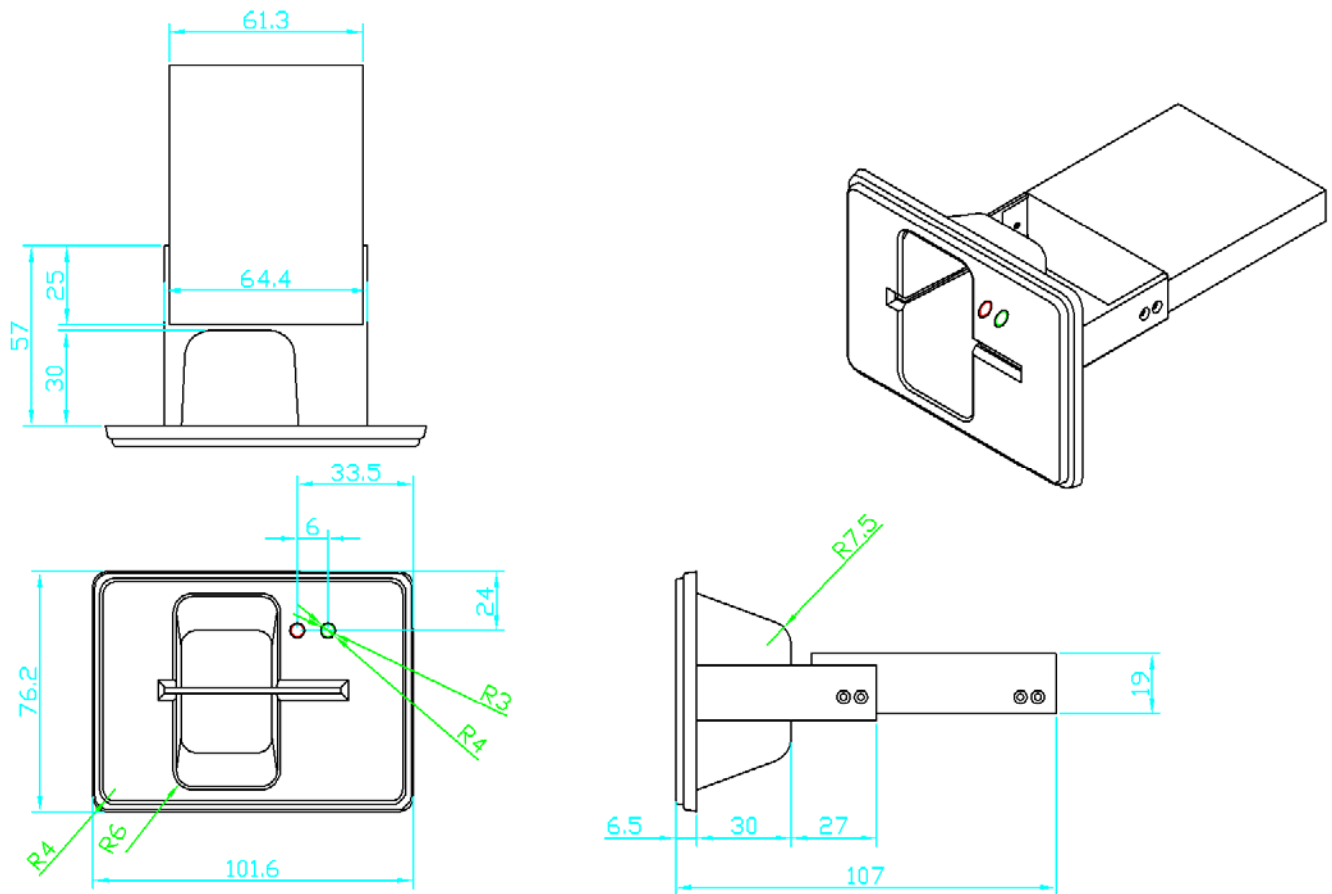
RS232 Hybrid Card Reader



IDSCR32 Series

RS232 Hybrid Card Reader

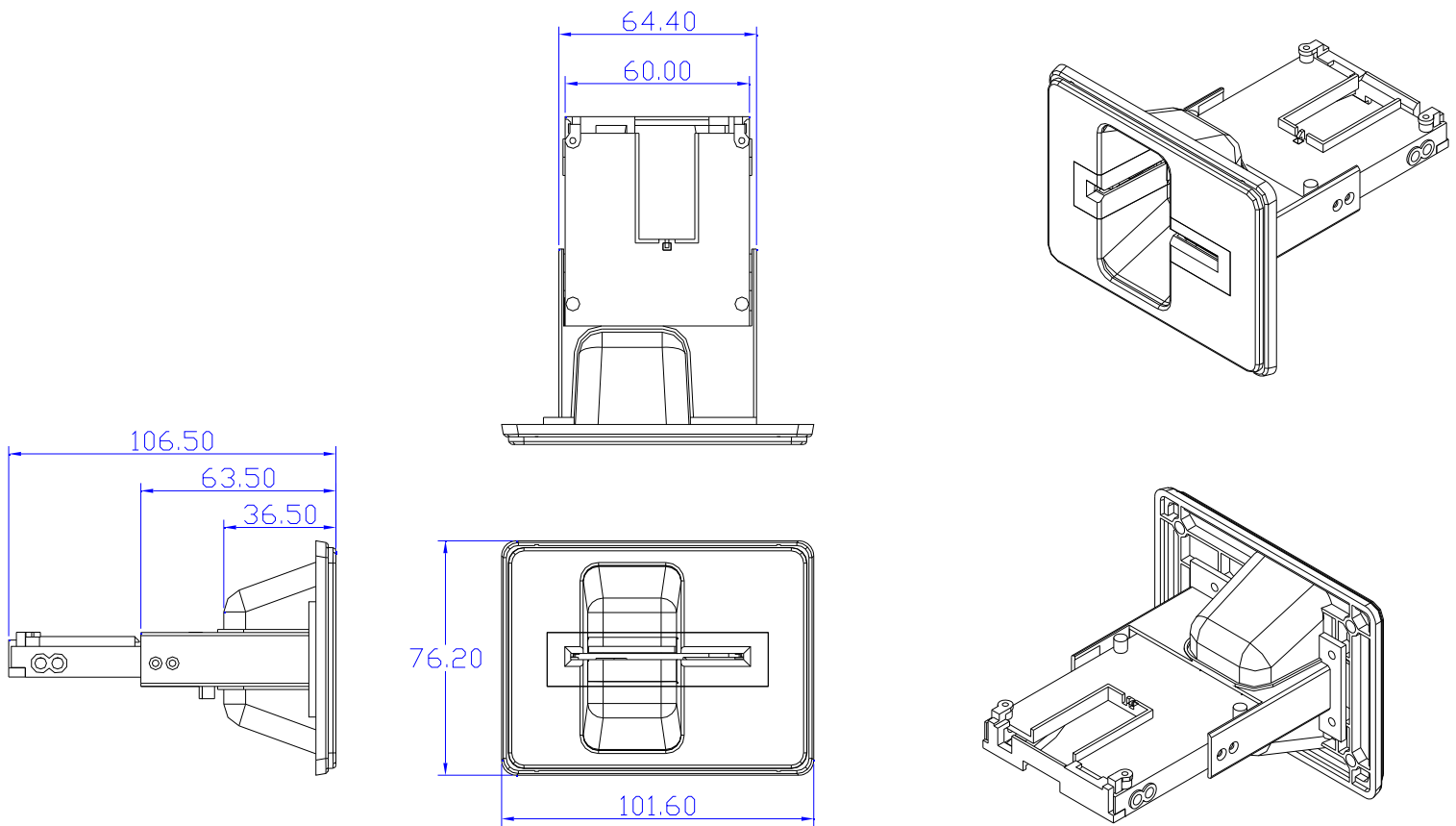
Dimension4 (Flush mount bracket type)



IDSCR32 Series

RS232 Hybrid Card Reader

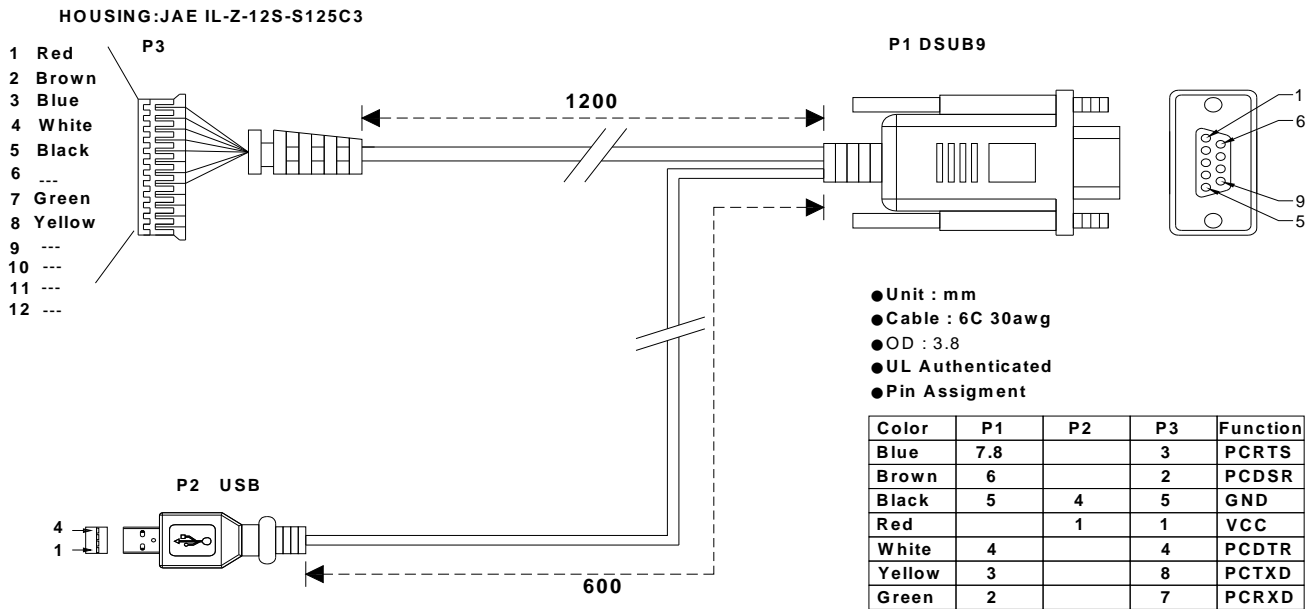
Dimension5 (Translucent Bracket type)



IDSCR32 Series

RS232 Hybrid Card Reader

Cable Specification 1/2:



IDSCR32 Series

RS232 Hybrid Card Reader

Cable Specification 2/2:

